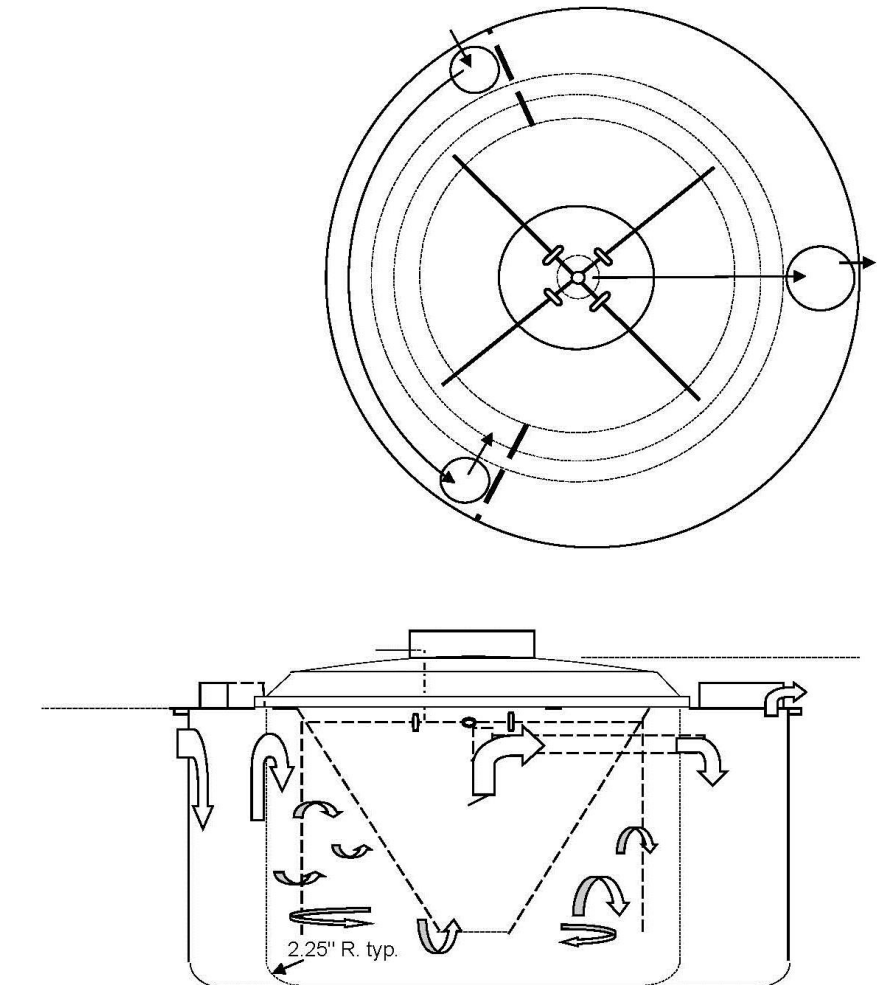




**T-558 FLOW DIAGRAM**



**One Piece Advanced Treatment Unit ATU**

**TuffTiger. 8413 Parker Rd. Houston, TX 77078. Phone: 866.770.7785**

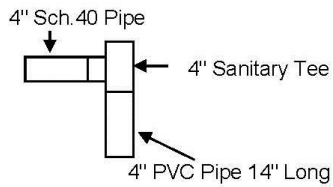
Copyright 2013. All rights reserved. Patent Pending. Revised 17 March 2013



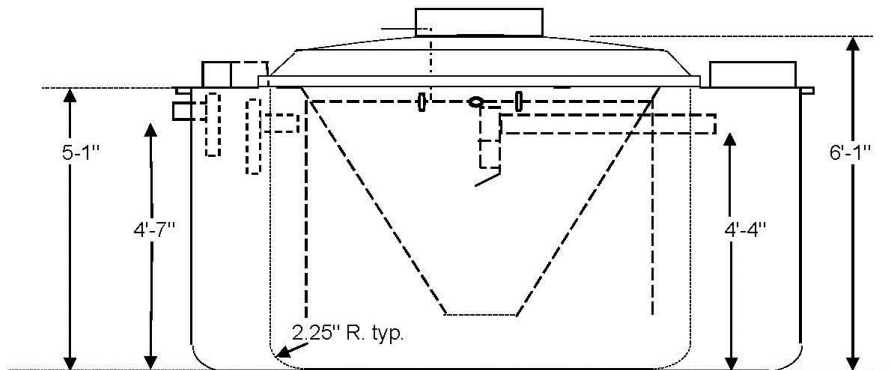
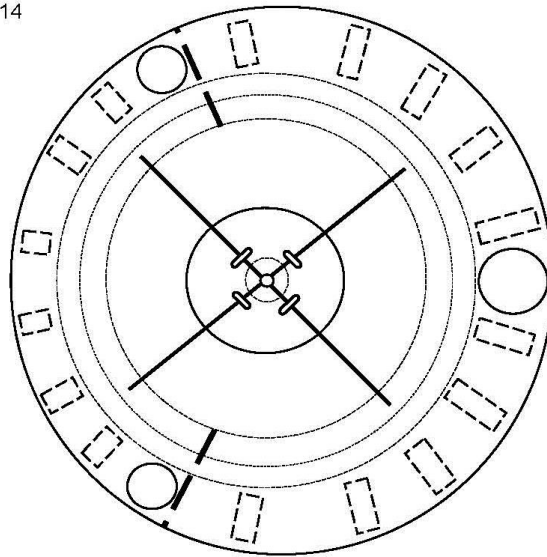
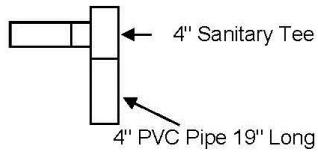
DIMENSIONAL DRAWING OF FIBERGLASS MODEL

Model Number	T-558
Treatment Capacity	500gpd
	Gallons
Outer Tank Flow Line Capacity	2167
ATU Tank I.D. Flow Line	855
Pretreatment Tank Flow Line	485
ATU Tank O.D. Flow Line	868
Pump Tank Flow Line	814

Pretreat Tank  
Inlet Tee Assembly



Pretreat Tank  
Outlet Tee Assembly



**One Piece Advanced Treatment Unit ATU**

**TuffTiger. 8413 Parker Rd. Houston, TX 77078. Phone: 866.770.7785**

Copyright 2013. All rights reserved. Patent Pending. Revised 17 March 2013